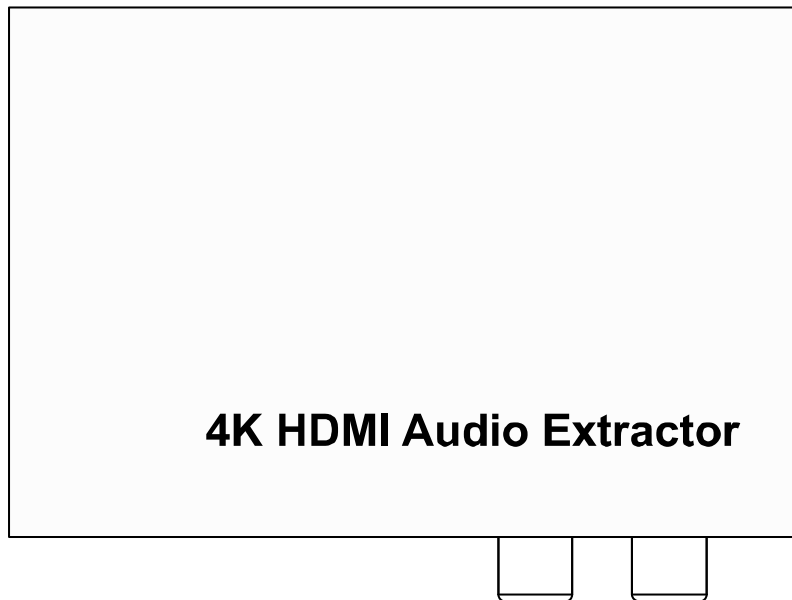


4K HDMI Audio Extractor

Operating Instructions



Dear Customer

Thank you for purchasing this product. For optimum performance and safety, please read these instructions carefully before connecting, operating or adjusting this product. Please keep this manual for future reference.

FEATURES

- Extract the digital HDMI audio signal from the HDMI input to 2 channel analog stereo output or 5.1 channel Audio output
- Supports resolution up to 4K@30Hz
- Supports deep color up to 36bit
- Support 3D
- Three Audio EDID Settings: 2.0CH/5.1CH/By pass
- Supports Apple TV and various Blu-ray player, satellite receivers

NOTICE

Our company reserves the right to make changes in the hardware, packaging and any accompanying documentation without prior written notice.

TABLE OF CONTENTS

Specifications

Package Contents

Panel Descriptions

Connecting and Operating

Application Diagram

Maintenance

Product service

Warranty

SPECIFICATIONS

Operating Temperature Range	-5 to +35°C(+23 to +95°F)
Operating Humidity Range	5 to 90%RH (No Condensation)
Input Video Signal	0.5-1.0 Volts P-P
Input DDC Signal	5 volts p-p(TTL)
Support Video format	4Kx2K/1080P/1080i/720P/576P/576i/480P/480i 3D video
Support Video Color Format	xv-YCC/deep color 36bit
Support Audio Format	DTS-HD Master Audio、Dolby true-HD etc.
Data transfer speed rate	10.2Gbps(Maximum)
Power consumption	3watts(Maximum)
Dimension (L×W×H)	89.2x66.7x25mm
Net Weight	175g

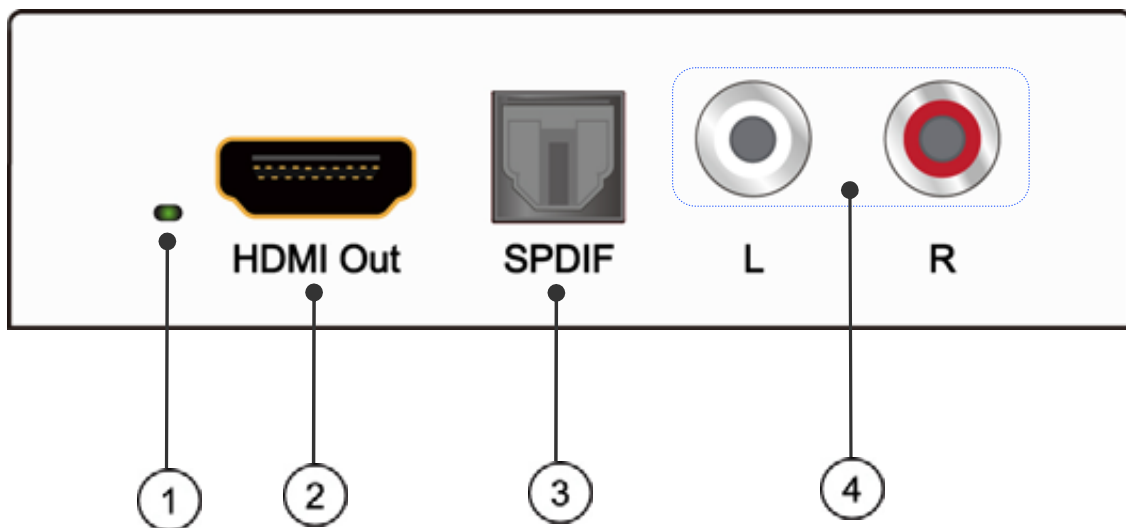
Note: Specifications are subject to change without notice. Mass and dimensions are approximate.

PACKING CONTENTS

- 1) Main Unit. Mini 4K HDMI Audio Extractor
- 2) DC 5V Power Supply
- 3) Operating Instructions

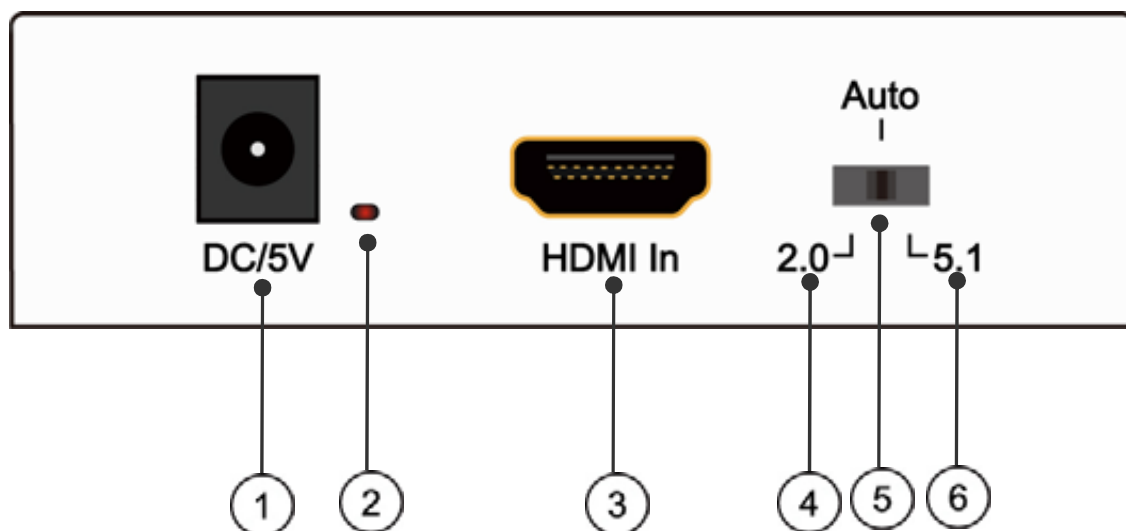
PANEL DESCRIPTIONS

Front Panel



- 1) HDMI out indicator
- 2) HDMI output
- 3) SPDIF Audio output
- 4) Analog Audio output

Back Panel



- 1) DC 5V
- 2) Power indicator
- 3) HDMI input
- 4) Switch to 2.0CH Audio
- 5) Switch to Auto mode (by pass)
- 6) Switch to 5.1CH Audio

Connecting and Operating

- 1) Connect the HDMI signal source (Such as PS3, STB etc) into HDMI input of 4K HDMI Audio Extractor.
- 2) Connect the HDMI display device (such as: HD-LCD, HD-DLP) into HDMI output of 4K HDMI Audio Extractor.
- 3) Connect Optical audio cable or RCA audio cable to Amplifier.
- 4) Connect DC 5V power to the 4K HDMI Audio Extractor.

Attention: Insert/Extract cable gently

Application Diagram

