

5" Two Way Wall Mount Speaker (30W) E-2111T

Feature:

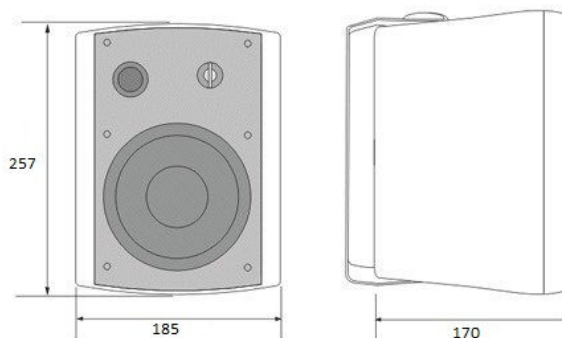
- ✓ Commercial PA system wall mount speaker with transformer
- ✓ Ideal for school, office, hotel and airport background music system
- ✓ Economy rang fashion wall mount cabinet loudspeaker
- ✓ Rated power output 30W at 100V
- ✓ 5" woofer and 1.5" tweeter two way speaker units
- ✓ Line input 100V or 70V
- ✓ ABS enclosure, metal grille in white
- ✓ Quick installation by supplied stainless mounting bracket
- ✓ **E-2111T as option of black finish**
- ✓ **E-2111T as option support 100V & 8Ω selector**



Specification:

Model	E-2111T
Description	5" Two Way Wall Mount Speaker
Rated Power Output	30W
Line Input	100V or 70V
Frequency Response	100-20KHz
SPL(@1W/m)	92dB
Speaker Unit	5" woofer and 1.5" tweeter two way speaker units
Dimension	185(W)×170(D)×257(H)mm
Material	ABS enclosure and metal grille in white
Tap regulation	30w/15w/7.5w/3w/1.5w
Weight	2.5kg

Side View & Dimensions:



Frequency Response VS SPL Diagram:

