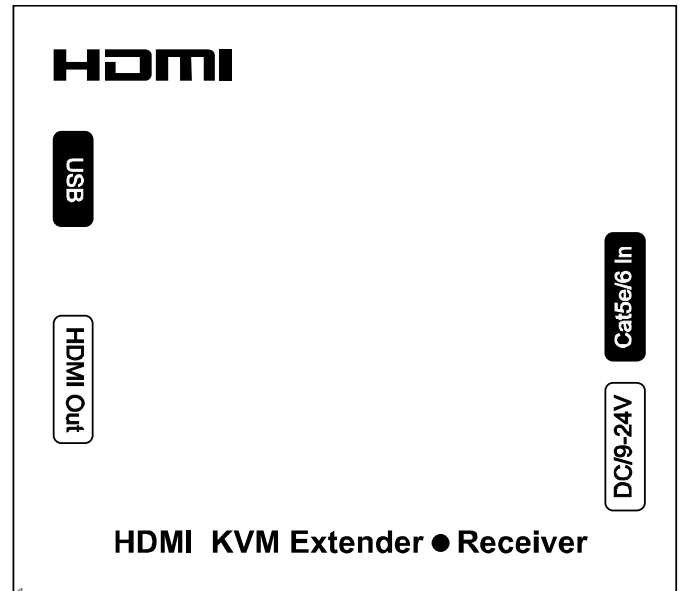
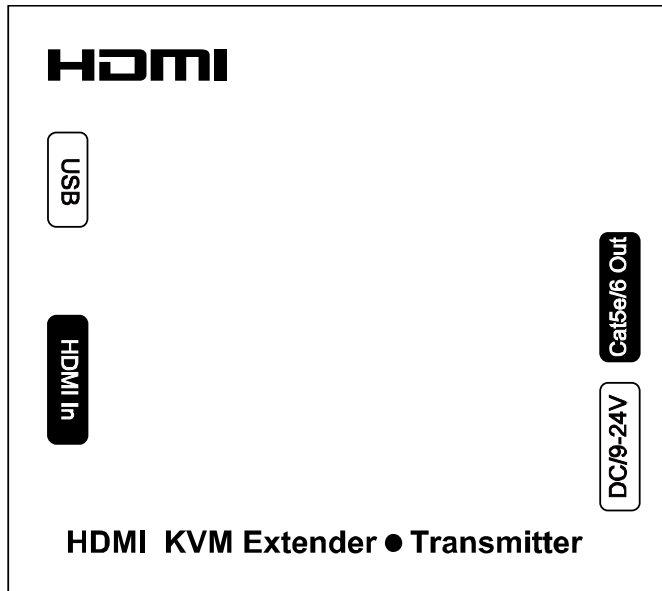


60M HDMI+USB KVM Extender

EK-56VM

Operating Instructions



Dear Customer

Thank you for purchasing this product. For optimum performance and safety, please read these instructions carefully before connecting, operating or adjusting this product. Please keep this manual for future reference.

FEATURES

- Each set includes one transmitter and one receiver
- Transmit distance up to 100m over single Cat5e/6 cable under Non-USB mode
- Transmit distance up to 60m over single Cat5e/6 cable under USB Mode
- USB 2.0 pass through
- Support Full HD 1080P
- Power Supply DC12V

NOTICE

Our company reserves the right to make changes in the hardware, packaging and any accompanying documentation without prior written notice.

TABLE OF CONTENTS

Specifications
 Package Contents
 Panel Descriptions
 Connecting and Operating
 Typical Application
 Maintenance
 Product Service
 Warranty

SPECIFICATIONS

Operating Temperature Range	-10 to +50°C (14 to +122°F)
Operating Humidity Range	5 to 90%RH (No Condensation)
Support Video Format	DTV/HDTV: 480P/576P/720P/1080P VESA:640x480, 800x600, 1024x768, 1280x1024, 1680x1050, 1280x720, 1360x768
Connector on Transmitter	1x HDMI Input , 1x USB B Type 1xRJ45 Output
Connector on Receiver	1xRJ45 Input 1x HDMI Output, 2x USB A Type
Transmission Distance	100m (Max) over single Cat5e/6 /24AWG/Solid under Non-USB Mode 60m(Max) over Single Cat5e/6 /24AWG/Solid under USB Mode
USB Distance	480M bit/s
Power consumption	Transmitter : 1.2W(Max) Receiver : 2.6W(Max)
Dimension (L×W×H)	L84.2xW75.2xH27.5mm
Net Weight	Transmitter:205g ; Receiver:205g

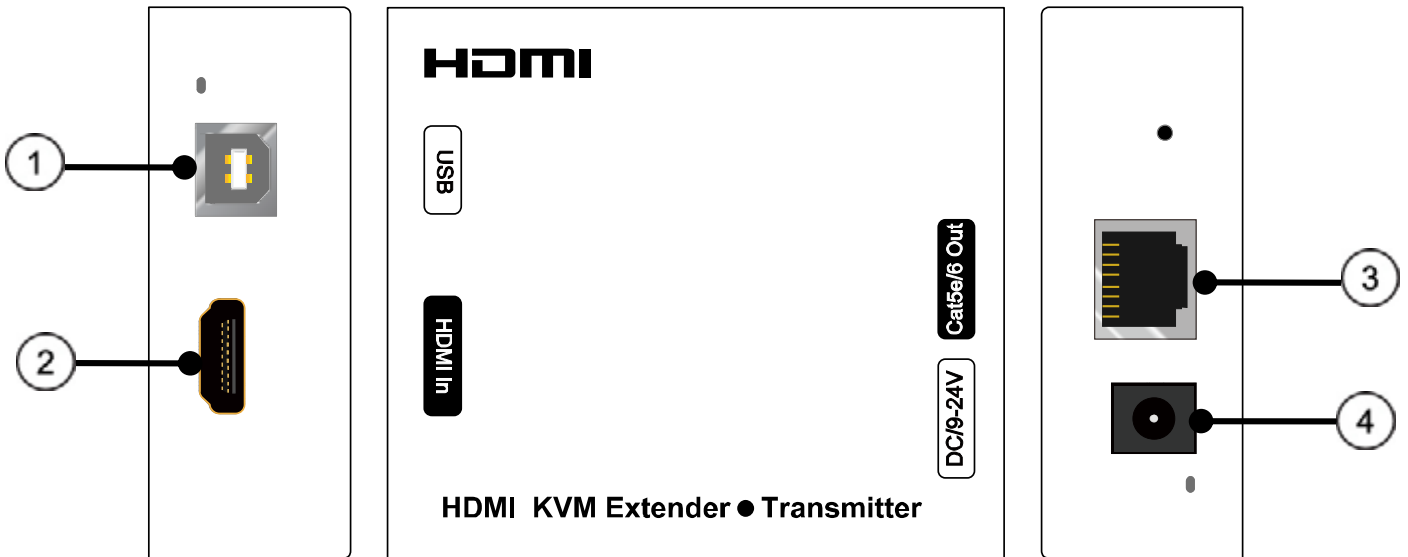
Note1: Specifications are subject to change without notice. Mass and dimensions are approximate.

PACKING CONTENTS

- 1) . Main Unit: HDMI Extender(Transmitter& Receiver)
- 2) . 2x Power Adapter DC 12V
- 3) . 8x Screws
- 4) . 4x Detachable Mounting Ears
- 5) . 1x USB 2.0 AM to BM Cable
- 6) . 1x User's Manual

PANEL DESCRIPTIONS

Transmitter Panel



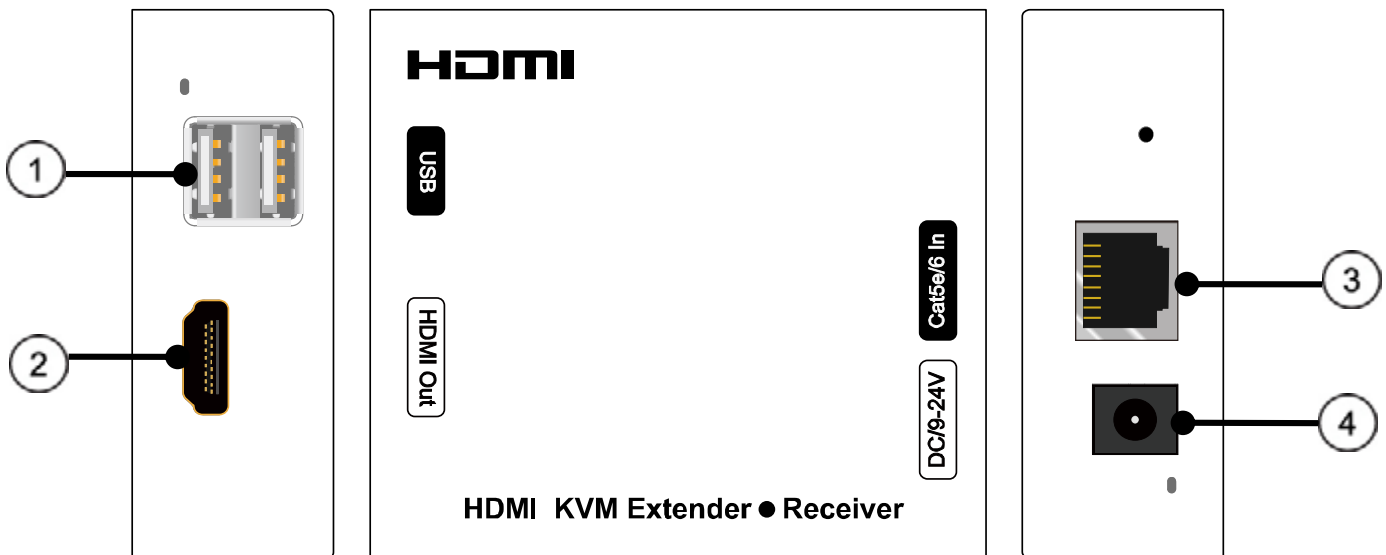
① USB port

② HDMI input port

③ Cat5e/6 output port

④ Power input port

Receiver Panel



① USB port

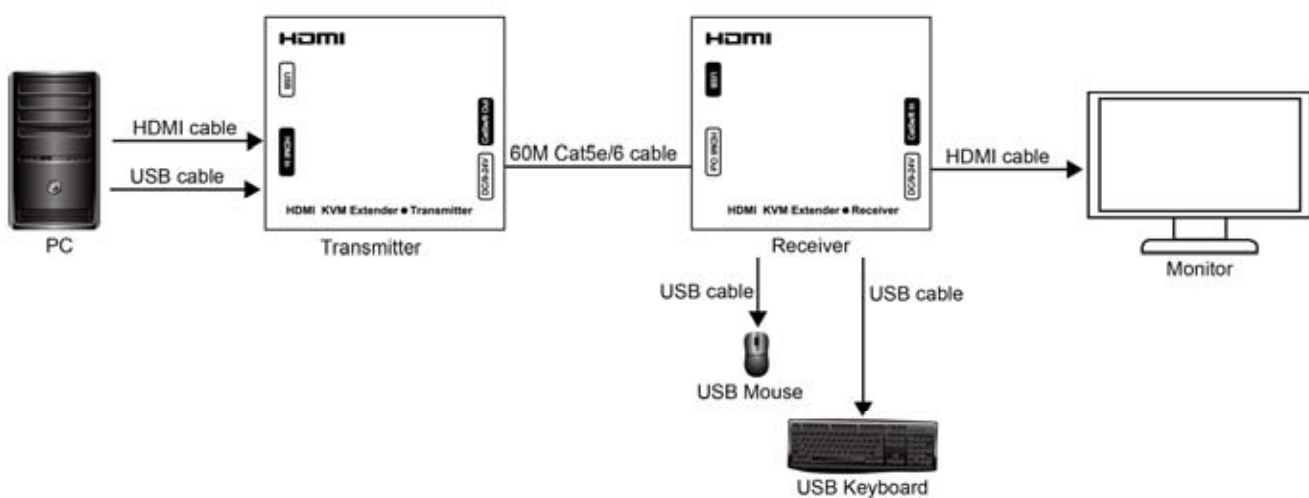
② HDMI output port

③ Cat5e/6 input port

④ Power input port

Application 1: KVM

1. Connect one HDMI Cable between the HDMI output port of source device and the HDMI input port of Transmitter unit
2. Connect one HDMI Cable between the HDMI input port of display and the HDMI output port of Receiver unit.
3. Connect one UTP Cat5e or better cable between the RJ45 port of Transmitter unit and RJ45 port of Receiver unit.
4. Connect the PC to the transmitter by USB AM-USB BM cable.
5. Connect keyboard, mouse to the receiver.
6. Connect 12V DC power supplies to both Transmitter unit and Receiver unit.



Application 2:

Point to point configuration:

1. Connect one HDMI Cable between the HDMI output port of source device and the HDMI input port of Transmitter unit
2. Connect one Cat5e/6 or better cable between the Transmitter and Receiver
3. Connect one HDMI cable between the HDMI Input of the display device and the HDMI Output port of the Receiver unit

